

Engineering Change Notice

Part No. <u>3034</u>	ECN No. <u>20-060</u>
Part Name <u>COIN CELL RETAINER</u>	Date <u>6.23.20</u>
Rev. <u>D</u>	ECR No. <u>—</u>

Description of Change: Drawing Attached
UPDATE POLARITY STAMP, STAMP IS CUT THRU MAT'L, WAS NOT.

Solution: Tooling Change Required
REVISE C+M

Disposition of Parts:
U.A.I.

Signed RH Date 6.23.20

Required Distribution:

<input checked="" type="checkbox"/> Engineering	<input checked="" type="checkbox"/> Quality Control	<input checked="" type="checkbox"/> Purchasing	<input checked="" type="checkbox"/> Manufacturing/Supplier
---	---	--	--

Chief Engineer: _____ Remarks: _____

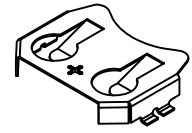
Signed RH Date 6.23.20

Document Control: _____ Rev. E

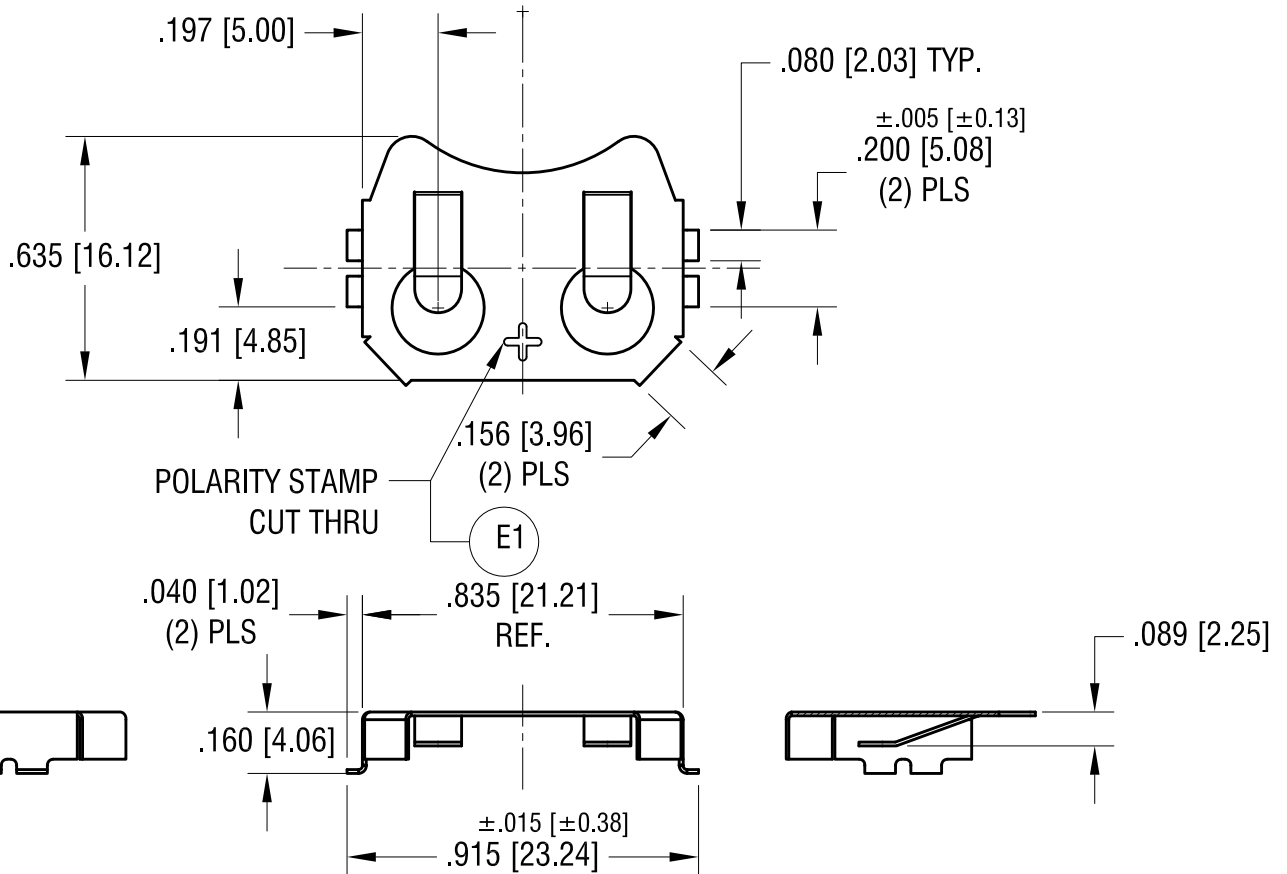
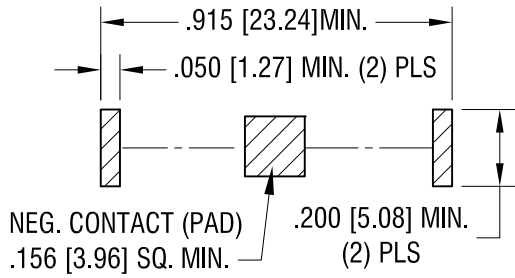
Change Incorporated Signed NATASHA T. Date 6.23.20

THIS DOCUMENT IS THE PROPERTY OF
KEYSTONE ELECTRONICS CORP. AND
SHALL NOT BE REPRODUCED, DISTRIBUTED
OR USED AS A BASIS FOR MANUFACTURE
WITHOUT PRIOR WRITTEN PERMISSION
FROM KEYSTONE ELECTRONICS CORP.

ACTUAL SIZE



MOUNTING PAD LAYOUT



DATE	DESCRIPTION	REV.
6.23.20	STAMP (E1) WAS NOT CUT THRU MAT'L CHANGE AS PER ECN 20-060	E
1.17.19	CHANGE AS PER ECN 19-003	D
4.25.14	CHANGE AS PER ECN 14-045	C
6.16.11	CHANGE AS PER ECN 11-085	B
3.08.11	CHANGE AS PER ECN 11-032	A

KEYSTONE ELECTRONICS CORP.			
www.keyelco.com • NEW HYDE PARK, NY 11040 • Tel (516) 328-7500			
PART NAME		COIN CELL RETAINER	
MATERIAL			
.010 [0.25] PHOSPHOR BRONZE			
FINISH		DRN BY	DATE
NICKEL PLATE		NT	2.28.11
		APP'D	SCALE
		RH	2X
TOLERANCES	INCH [MM]	CODE	DWG NO.
DECIMAL	$\pm .010 [\pm 0.25]$	C	3034
ANGULAR	$\pm 1^\circ$		
UNLESS OTHERWISE SPECIFIED			